

# AIGaAs Infrared Laser Diode

**ADL-85051TL**

6-2D-LD85-004 Rev.02

850nm 5mW 5.6 φ TO-Type Laser Diode

## • Features

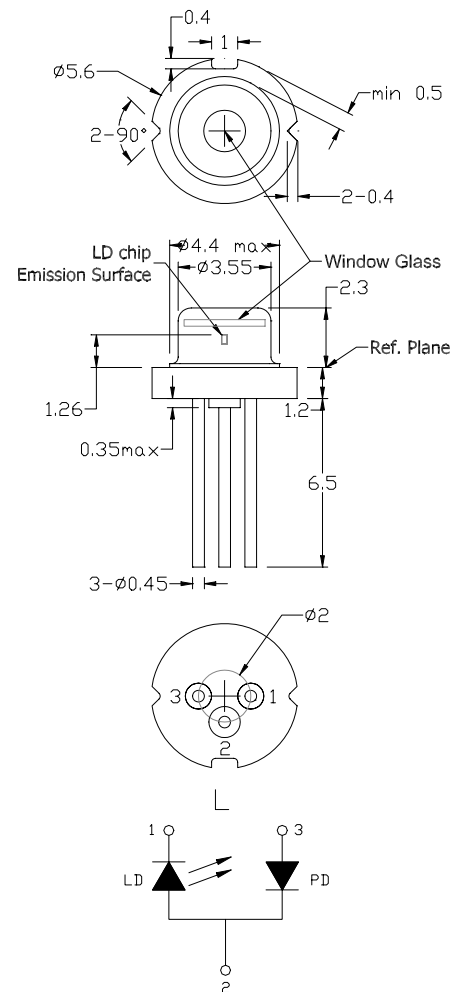
1. Low operation current
2. Cost effective

## • Applications

1. Bar-code scanner
2. Laser printer
3. Military

## • Absolute maximum ratings

Parameter	Symbol	Condition	Rating	Unit
Light output power	$P_O$	CW	5	mW
Reverse voltage (LD)	$V_{RL}$	-	3.5	V
Reverse voltage (PD)	$V_{RD}$	-	30	V
Forward current (PD)	$I_{FD}$	-	10	mA
Case temperature	$T_C$	-	-10~+50	°C
Storage temperature	$T_S$	-	-40~+85	°C



## • Electrical and optical characteristics ( $T_c=25^\circ\text{C}$ )

Parameter	Symbol	Min.	Typ.	Max.	Unit	Conditions
Peak wavelength	$\lambda$	840	845	850	nm	$P_o=5\text{mW}$
Threshold current	$I_{th}$	-	19	25	mA	
Operating current	$I_{op}$	-	26	35	mA	$P_o=5\text{mW}$
Operating voltage	$V_{op}$	-	1.8	2.0	V	$P_o=5\text{mW}$
Differential efficiency	$\eta$	0.5	0.9	1.1	mW/mA	$P_o=3\text{-}5\text{mW}$
Monitor current	$I_m$	0.4	0.6	0.8	mA	$P_o=5\text{mW}$ , $V_{RD}=5\text{V}$
Parallel divergence angle	$\theta_{  }$	6	9	14	degree	$P_o=5\text{mW}$
Perpendicular divergence angle	$\theta_{\perp}$	27	32	36	degree	
Parallel FFP deviation angle	$\Delta\theta_{  }$	-3	-	+3	deg	
Perpendicular FFP deviation angle	$\Delta\theta_{\perp}$	-3	-	+3	deg	
Emission point accuracy	$\Delta x \Delta y$	-80	-	+80	um	
	$\Delta Z$	-40	-	+40	um	

## • Precautions

- \* Do not operate the device above maximum ratings. Doing so may cause unexpected and permanent damage to the device.
- \* Take precautions to avoid electrostatic discharge and/or momentary power spikes. A change in the characteristics of the laser or premature failure may result.
- \* Proper heat sinking of the device assures stability and lifetime. Always ensure that maximum operating temperatures are not exceeded.
- \* Observing visible or invisible laser beams with the human eye directly, or indirectly, can cause permanent damage. Use a camera to observe the laser.
- \* No laser device should be used in any application or situation where life or property is at risk in event of device failure.
- \* Specifications are subject to change without notice. Ensure that you have the latest specification by contacting us prior to purchase or use of the product.

\* For reference only. Contents above are subject to change without notice.

**Arima**  
LASERS

